

# FD711G-FA10

## 1GE+CATV XPON ONU



High Speed CPU



Low Power Consumption



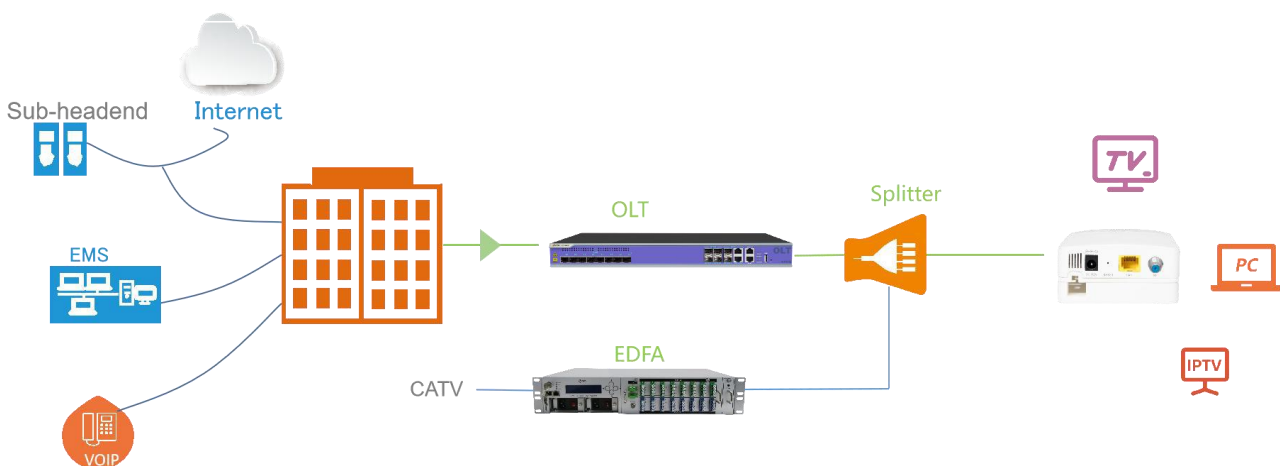
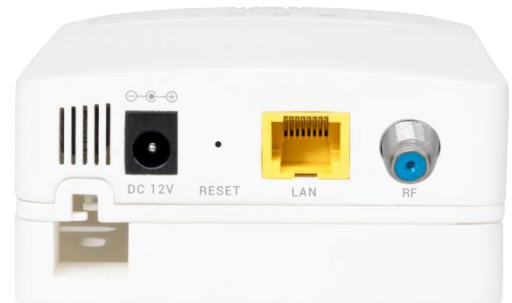
Software Customization



Optional Shell Supply

### Brief Views

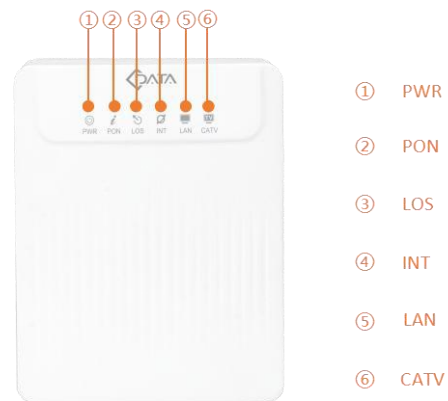
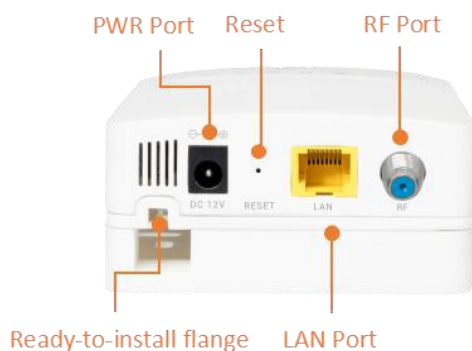
FD711G-FA10 is an indoor fiber broadband access terminal. The device provides one GPON / EPON adaptive optical port and supports XPON mode. It can be used in connection with our company FD16 series GPON OLT or FD11 / 12 series EPON OLT. It can also interconnect with the mainstream manufacture (Huawei / ZTE / Fiberhome) GPON or EPON OLT to provide users with Internet and CATV services based on GPON and EPON technology.



## Functional Feature

- In compliant with IEEE802.3ah and ITU - T G.984 standard
- Support ONU auto-discovery/Link detection/remote upgrade of software
- Support SN and LOID+Password multiple registration methods
- Support port VLAN configuration
- Support port-based rate limitation and bandwidth control
- Support MAC address learning
- Support MAC address learning account limit
- Support VLAN transparent/tag/translate/trunk
- Support broadcasting storm resistance function
- Support igmp transparent/snooping/proxy mode
- Support Dynamic Bandwidth Allocation (DBA)
- Support AES encryption and decryption
- EMS network management based on SNMP ,convenient for maintenance
- Support power-off alarm function ,easy for link problem detection
- Support Firewall
- Support MAC address/URL filter
- Support remote WEB/Telnet access control
- Support remote CATV port management

## Product Interface and LED



## LED Definitions

Indicator		Description
PWR	Power status	On: The ONT is power on; Off: The ONT is Power off;
PON	ONT Register	On: Success to register to OLT; Blinking: In process of registering to OLT; Off:Failed to register to OLT or no normal optical signal input;
LOS	PON optical signals	On: Optical power lower than receiver sensitivity; Off: Optical in normal;
LAN	LAN port status	On: Ethernet connection is normal; Blinking: Data is being transmitted through the Ethernet port; Off: Ethernet connection is not set up;
INT	Internet status indicator	On: The routed WAN Internet access service is normal. Off: The routed WAN Internet access service is abnormal.
CATV	CATV status	On: CATV optical normal Off:The CATV signals are not received

## Product Specification

### Mechanics

Dimensions	110mm(L)*86mm(W)*30.5mm (H)
Weight	About 0.13kg

### Hardware

User Port (LAN)	RJ-45 connector		
	1*10/100/1000Mbps adaptive Ethernet port		
	Full/half duplex		
	Auto MDI/MDI-X		
Indicators	PWR / PON / LOS / LAN / INT / CATV		
PON Port	PON Mode	EPON: 1000BASE-PX20+ symmetric GPON: FSAN G.984.2 standard,Class B+	
	PON Rate	EPON: 1.25Gbps downstream/upstream GPON: 2.488Gbps/1.244Gbps downstream/upstream	
	Wavelength	Transmit: 1310nm	Receiver: 1490nm
	Receiving sensitivity	EPON: -27dBm	GPON: -28dBm
	Saturated power	EPON: -3dBm	GPON: -8dBm
	Transmitting power	EPON:0~4dBm	GPON: 0.5~5dBm

### CATV (Input /Output port)

Wavelength: 1550nm
Input optical power: -18dBm ~ 0dBm(with AGC)
RF frequency: 47MHz~1000MHz
RF output level: 78dBuV (@-12~-2dBm@85MHz) (with AGC)
RF output return loss: >12dB(with AGC)
RF impedance: 75 Ω

## Environment

Working temperature	0 to 40° C
Operating humidity	10% ~ 90% (Non-condensing)

## Power

External 12VDC/0.5A power supply adapter	
Power consumption	≤3.3W

**Copyright © Shenzhen C-Data Technology Co., Ltd. 2023. All rights reserved.**

Without the prior written consent of C-DATA, any reproduction, excerpting, backup, modification, translation or any other form of commercial use of this document or any portion of this document, and in any form or by any means, to transmit the document are prohibited.